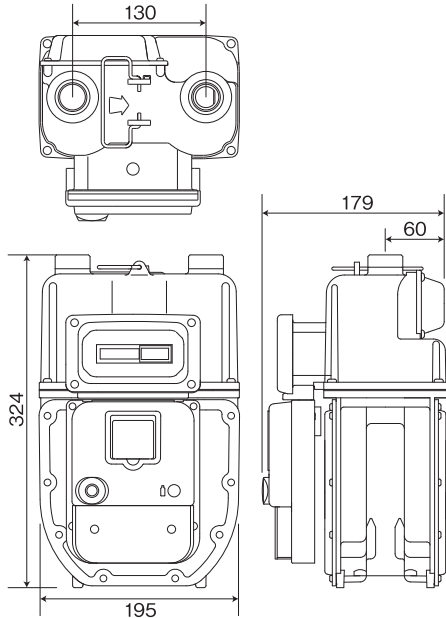
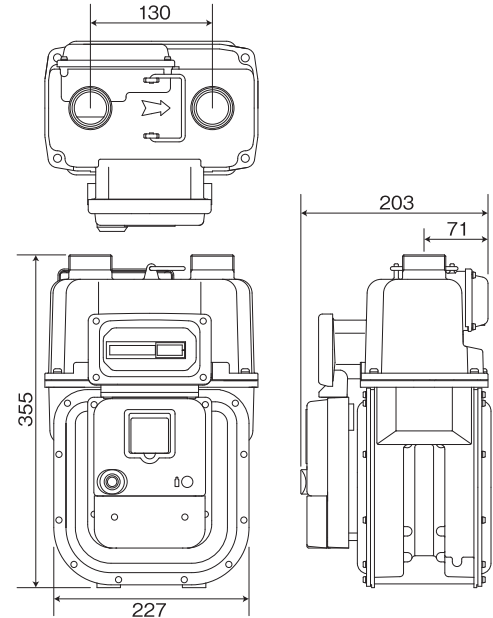
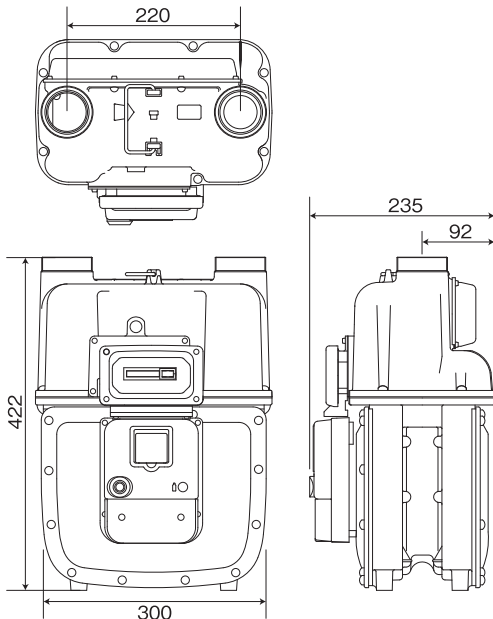


マイコンメーターS B 外観図

NSB4MT1 α ・NSB6MT1 α	SB10MT1 α
 <p>Technical drawings of the NSB4MT1α and NSB6MT1α meters. The drawings include a top view, a front view, and a side view. Dimensions are: Top view width 130; Front view height 324, width 195; Side view height 179, depth 60.</p>	 <p>Technical drawings of the SB10MT1α meter. The drawings include a top view, a front view, and a side view. Dimensions are: Top view width 130; Front view height 355, width 227; Side view height 203, depth 71.</p>

NSB16MT1 α
 <p>Technical drawings of the NSB16MT1α meter. The drawings include a top view, a front view, and a side view. Dimensions are: Top view width 220; Front view height 422, width 300; Side view height 235, depth 92.</p>